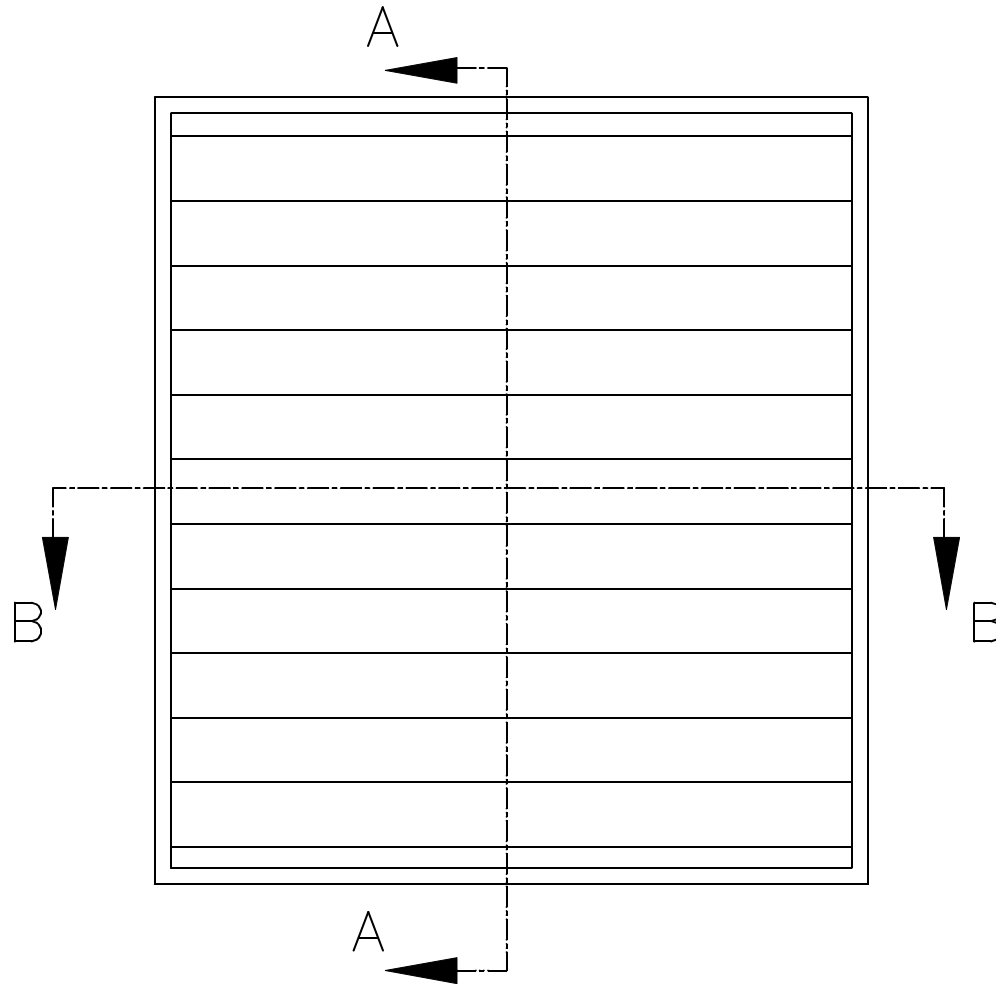
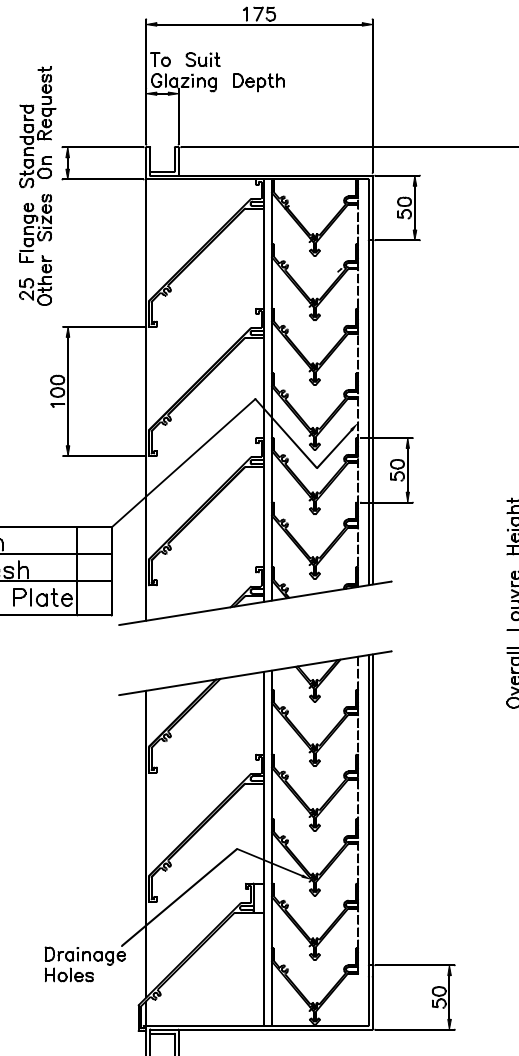


Sectional Plan On Arrow B.B.



Overall Louvre Sizes (mm)			
Qty	Ref	Width (mm)	Height (mm)



Birdmesh	
Insectmesh	
Blanking Plate	

Sectional Elevation  
On Arrow A.A.

Notes  
All dimensions must be checked on site and not scaled from this drawing

WL100&WL50Chev Triple Bank

Material  
Extruded Aluminium Frame  
& Blades.

Blade Thickness 2mm  
Frame Thickness 3mm  
Louvre Depth 175mm  
Louvre Pitch 100mm  
Blade Angle 45°

Finish:  
Polyester Powder Coated  
Colour Ref \_\_\_\_\_

Date	Revisions

LINCO ENGINEERING  
MIDLANDS LTD  
88 Heming Road,  
Washford Industrial Estate,  
Redditch,  
WORCS,  
B98 0EA,  
TEL: (01527) 518333  
FAX: (01527) 518666  
e-mail: linco@btconnect.com  
www.lincoengineering.com



Client.

Project.

Drawing Title  
WL100/WL50 Chev  
Triple Banked Louvre  
With Glazing Edge

Scale 1:2

Date Jan08 Drawn by:K.P

Dwg. No. WL100/50 Chev T/B 06	Rev. A1
----------------------------------	------------