

Notes
All dimensions must be checked on site and not scaled from this drawing

WL75 Louvre System

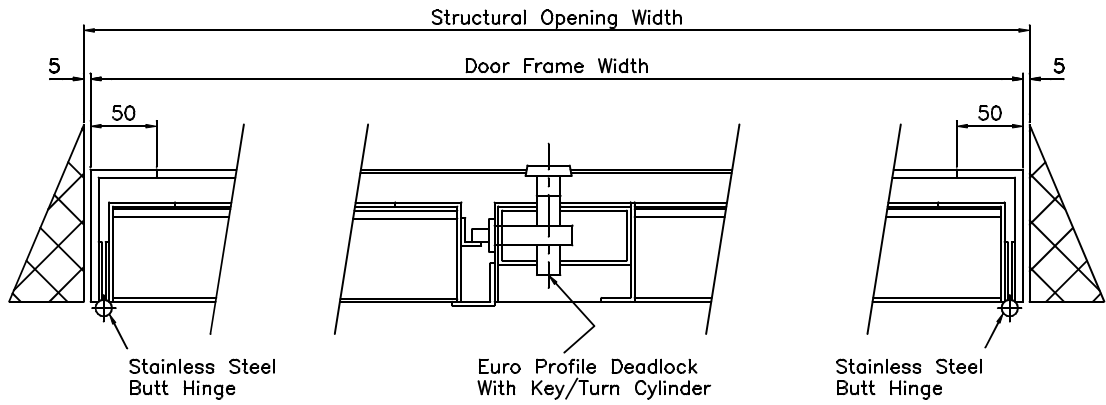
Material
Extruded Aluminium Frame & Blades.

Blade Thickness 2mm
Frame Thickness 3mm
Louvre Depth 75mm
Louvre Pitch 75mm
Blade Angle 45°
Door Frame Thickness 6mm
Door Frame Depth 100mm

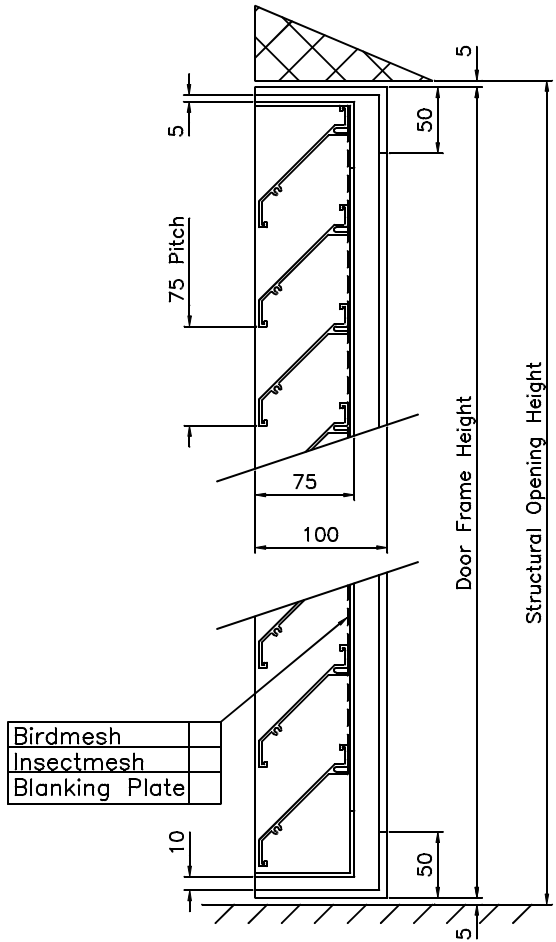
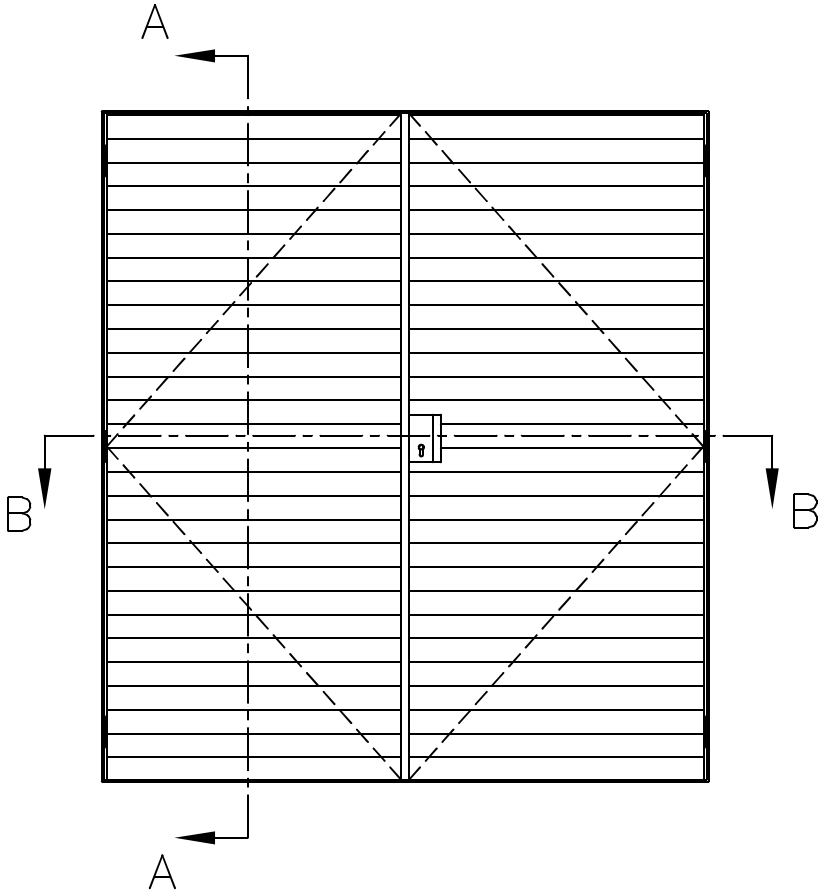
Finish:
Polyester Powder Coated
Colour Ref: _____

Door Ironmongery:
Stainless Steel Butt Hinges
Euro Profile Deadlock & Key/Turn Cylinder
Rebated Flush Door Pull
Outer Frame
Shoot Bolts To Slave Leaf (Double Doors Only)

Structural Opening Sizes (mm)		
Door Ref	Width (mm)	Height (mm)



PLAN Section On B.B



Sectional Side Elevation
On A.A

Date	Revisions

LINCO ENGINEERING
MIDLANDS LTD
88 Heming Road,
Washford Industrial Estate,
Redditch,
WORCS,
B98 0EA,
TEL: (01527) 518333
FAX: (01527) 518666
e-mail: linco@btconnect.com
www.lincoengineering.com



Client: _____

Project: _____

Drawing Title
WL75 Double Louvred Door Recessed Frame

Scale 1:2

Date Jan08	Drawn by: K.P
------------	---------------

Drwg. No. WL75 D/D 1	Rev. A1
----------------------	---------