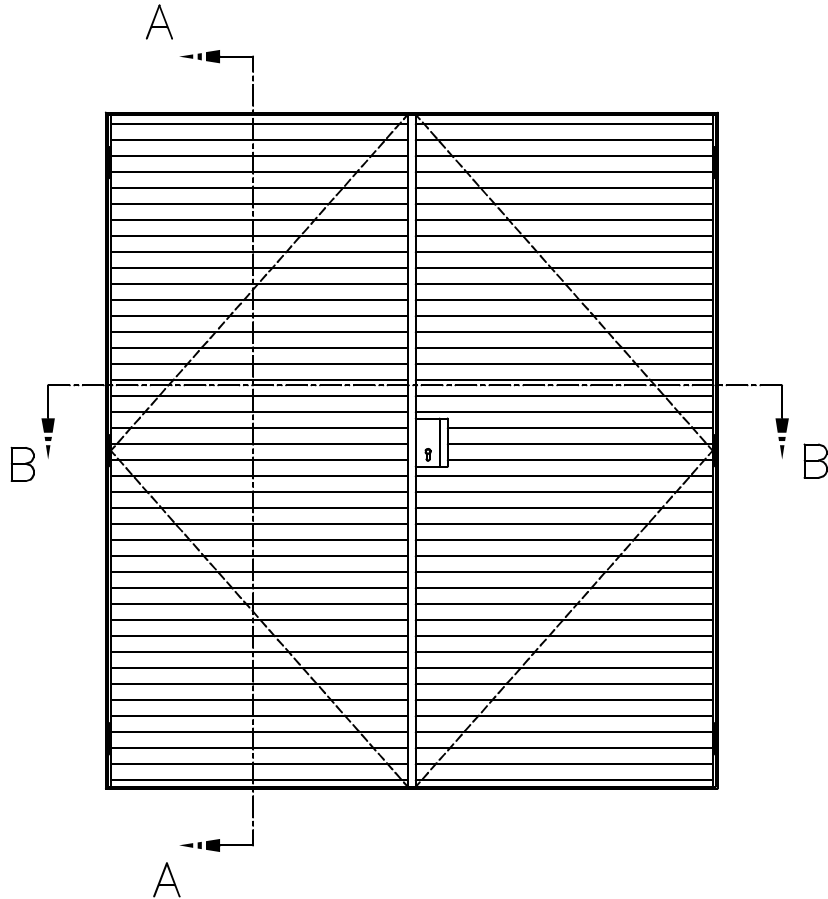
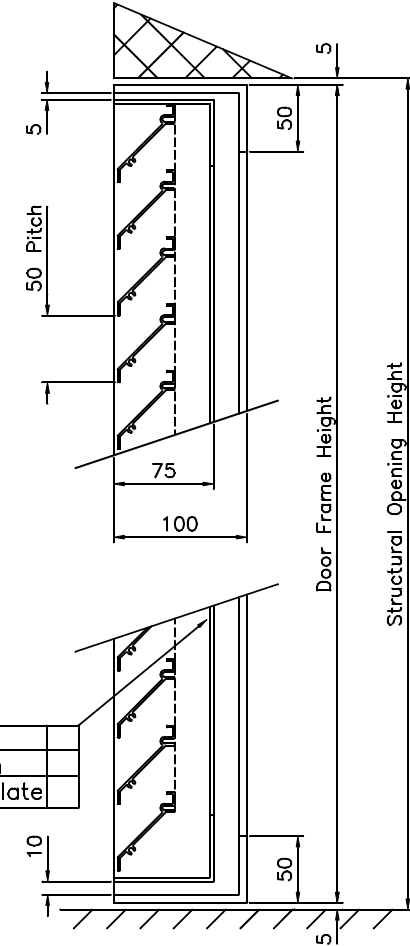


PLAN Section On B.B



Structural Opening Sizes (mm)		
Door Ref	Width (mm)	Height (mm)



Sectional Side Elevation
On A.A

Notes
All dimensions must be checked on site and not scaled from this drawing

WL50 Louvre System

Material
Extruded Aluminium Frame & Blades.

Blade Thickness 2mm
Frame Thickness 3mm
Louvre Depth 75mm
Louvre Pitch 50mm
Blade Angle 45°
Door Frame Thickness 6mm
Door Frame Depth 100mm

Finish;
Polyester Powder Coated
Colour Ref: _____

Door Ironmongery;
Stainless Steel Butt Hinges
Euro Profile Deadlock & Key/Turn Cylinder
Rebated Flush Door Pull
Outer Frame
Shoot Bolts To Slave Leaf
(Double Doors Only)

Date	Revisions

LINCO ENGINEERING
MIDLANDS LTD
88 Heming Road,
Washford Industrial Estate,
Redditch,
WORCS,
B98 0EA,
TEL: (01527) 518333
FAX: (01527) 518666
e-mail: linco@btconnect.com
www.lincoengineering.com



Client. _____
Project. _____

Drawing Title
WL50 Double
Louvred Door
Recessed Frame

Scale 1:2

Date Mar26 Drawn by K.P

Dr. No. WL50 D/D 1 Rev. -