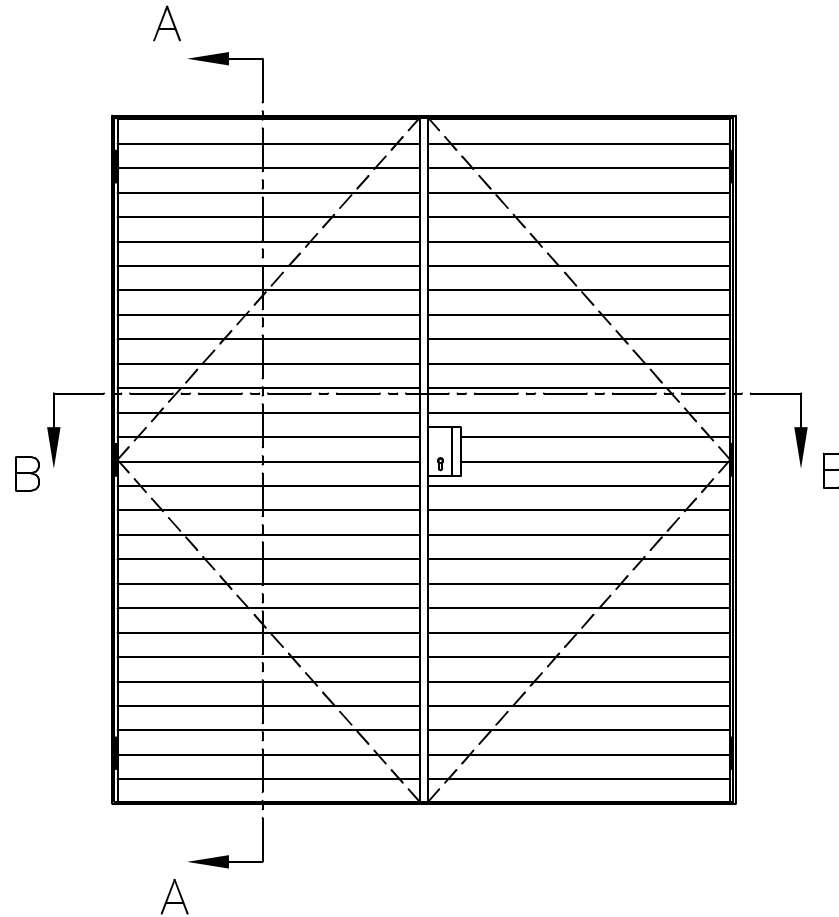
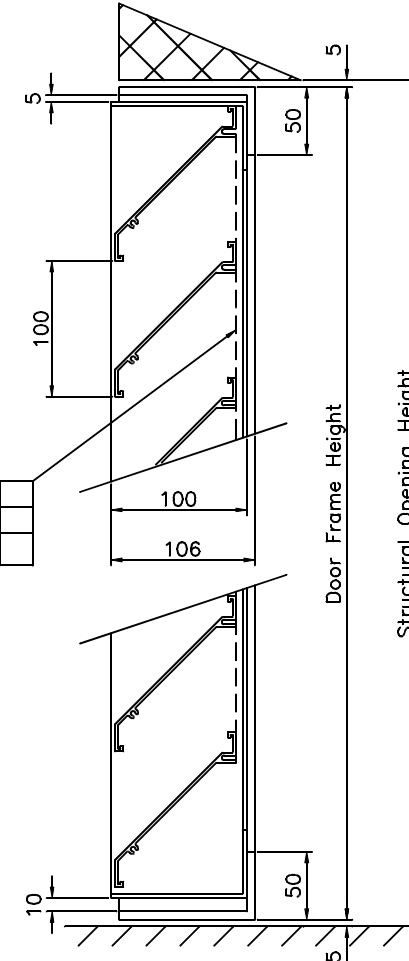


PLAN Section On B.B



Structural Opening Sizes (mm)		
Door Ref	Width (mm)	Height (mm)



Birdmesh	
Insectmesh	
Blanking Plate	

Sectional Side Elevation
On A.A

Notes
All dimensions must be checked on site and not scaled from this drawing

WL100 Louvre System

Material
Extruded Aluminium Frame & Blades.

Blade Thickness 2mm
Frame Thickness 3mm
Louvre Depth 100mm
Louvre Pitch 100mm
Blade Angle 45°
Door Frame Thickness 6mm
Door Frame Depth 100mm

Finish;
Polyester Powder Coated
Colour Ref; _____

Door Ironmongery;
Stainless Steel Butt Hinges
Euro Profile Deadlock & Key/Turn Cylinder
Rebated Flush Door Pull
Outer Frame
Shoot Bolts To Slave Leaf
(Double Doors Only)

Date	Revisions

LINCO ENGINEERING
MIDLANDS LTD
88 Heming Road,
Washford Industrial Estate,
Redditch,
WORCS,
B98 0EA,
TEL: (01527) 518333
FAX: (01527) 518666
e-mail: linco@btconnect.com
www.lincoengineering.com



Client.

Project.

Drawing Title
WL100 Double Louvred Door Recessed Frame

Scale 1:2

Date Mar26	Drawn by: K.P
------------	---------------

Drg. No. WL100 D/D 1	Rev. -
----------------------	--------