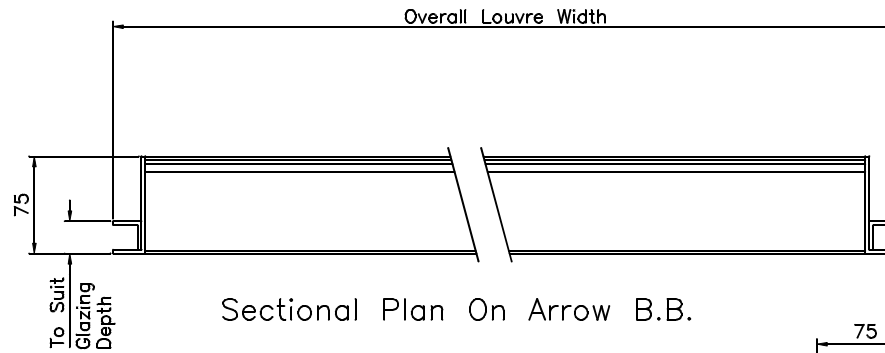
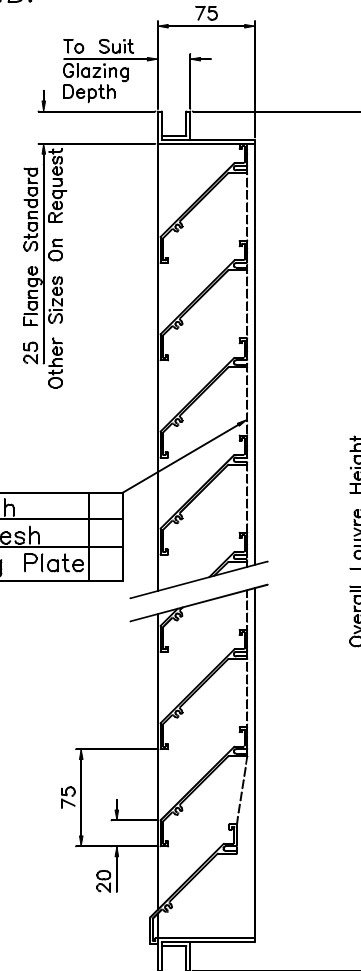
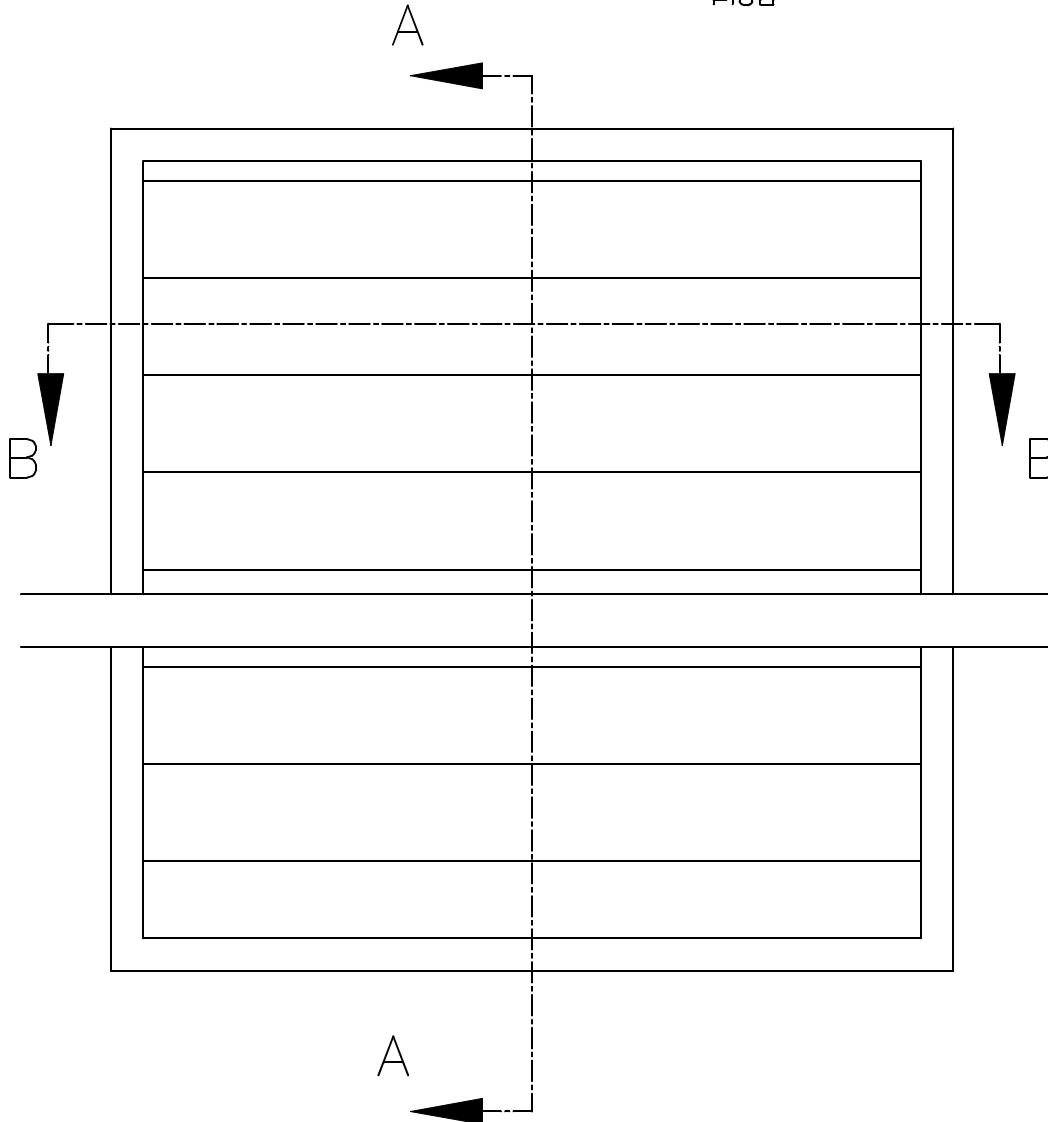


Overall Louvre Sizes (mm)			
Qty	Ref	Width (mm)	Height (mm)



Sectional Plan On Arrow B.B.



Sectional Elevation On Arrow A.A.

Notes
All dimensions must be checked on site and not scaled from this drawing

WL75 Louvre System

Material
Extruded Aluminium Frame & Blades.

Blade Thickness 2mm
Frame Thickness 3mm
Louvre Depth 75mm
Louvre Pitch 75mm
Blade Angle 45°

Finish;
Polyester Powder Coated
Colour Ref _____

Date	Revisions

LINCO ENGINEERING
MIDLANDS LTD
88 Heming Road,
Washford Industrial Estate,
Redditch,
WORCS,
B98 0EA,
TEL: (01527) 518333
FAX: (01527) 518666
e-mail: linco@btconnect.com
www.lincoengineering.com



Client. _____

Project. _____

Drawing Title
WL75 Aluminium
Weather Louvre
Glazing Frame

Scale 1:2

Date Mar26 Drawn by: K.P

Drwg. No.	Rev.
WL75 06	—