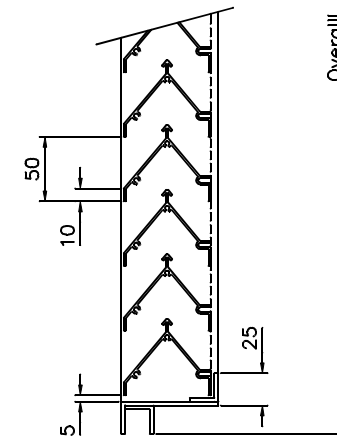
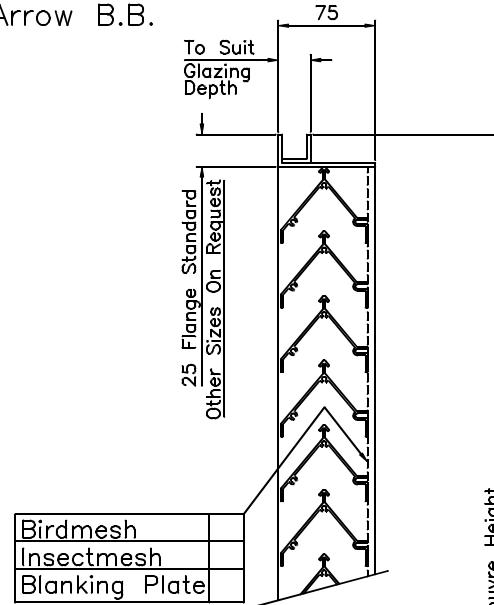
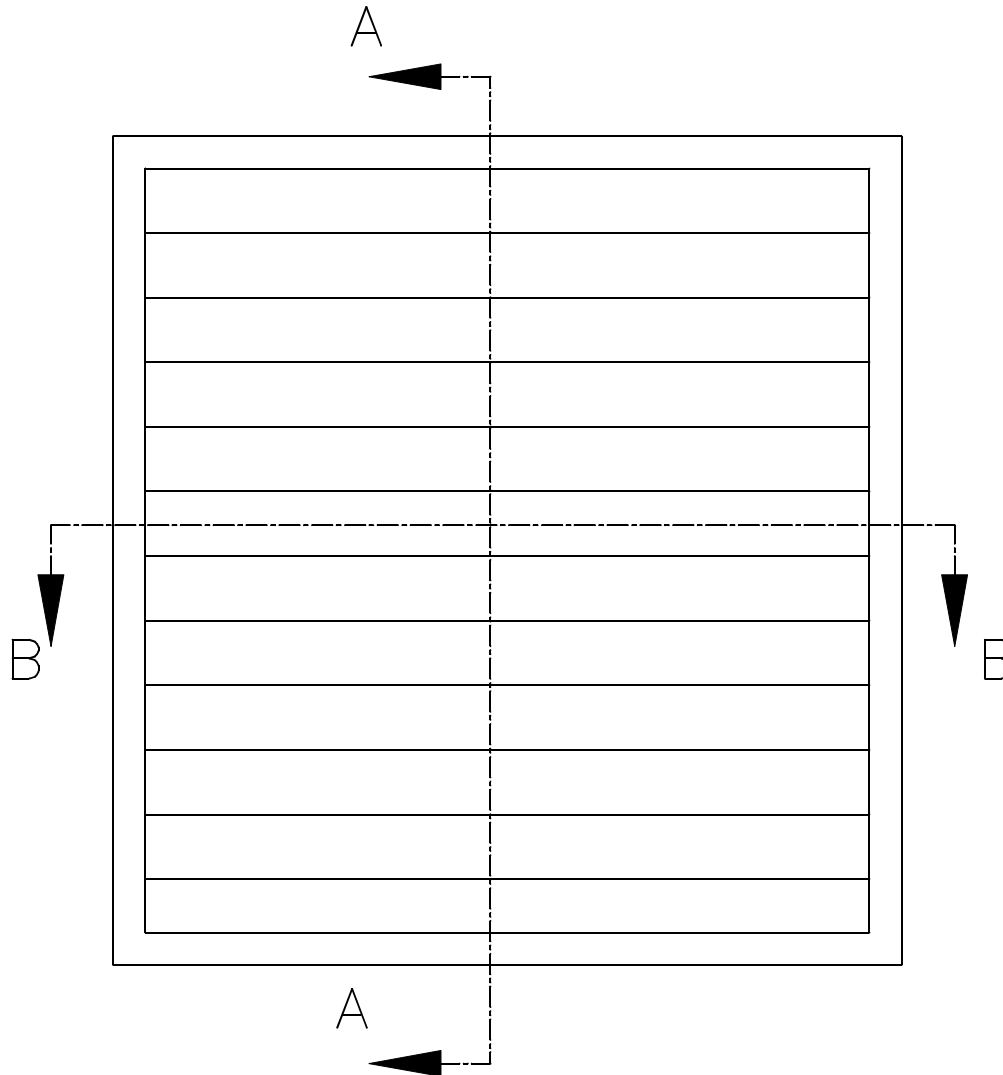
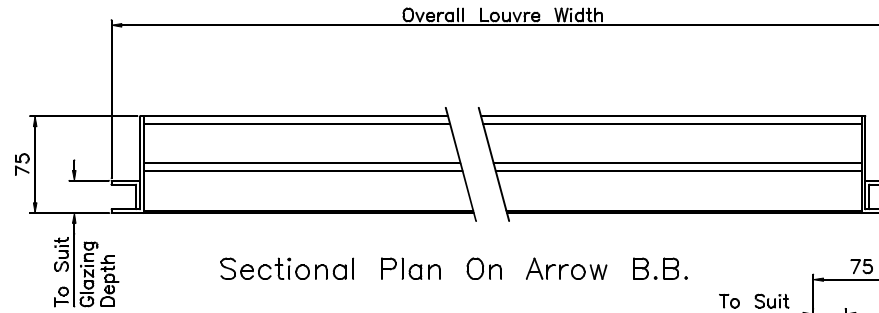


Overall Louvre Sizes			
Qty	Ref	Width (mm)	Height (mm)



Notes  
All dimensions must be checked on site and not scaled from this drawing

**WL50 Chevron Louvre**

Material  
Extruded Aluminium Frame & Blades.

Blade Thickness 1.5mm  
Frame Thickness 3mm  
Louvre Depth 75mm  
Louvre Pitch 50mm  
Blade Angle 45°

Finish;  
Polyester Powder Coated  
Colour Ref \_\_\_\_\_

Date	Revisions

LINCO ENGINEERING  
MIDLANDS LTD  
88 Heming Road,  
Washford Industrial Estate,  
Redditch,  
WORCS,  
B98 0EA,  
TEL: (01527) 518333  
FAX: (01527) 518666  
e-mail: linco@btconnect.com  
www.lincoengineering.com



Client.

Project.

Drawing Title  
WL50 Chevron  
Aluminium Louvre  
Glazing Frame

Scale 1:2

Date Mar26 Drawn by K.P

Dr. No.	Rev.
WL50Chev 06	—