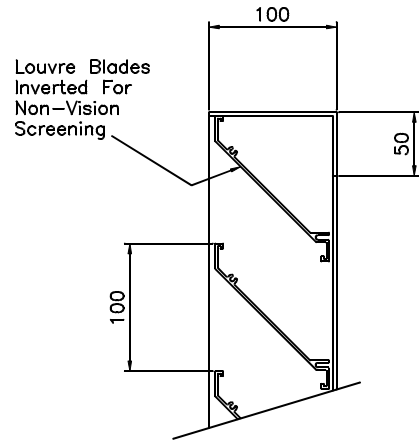
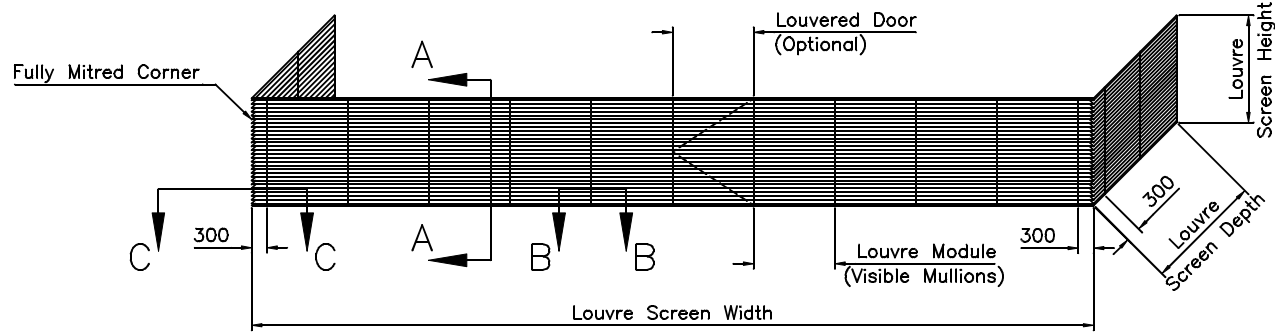
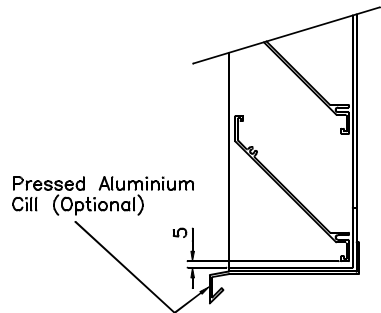


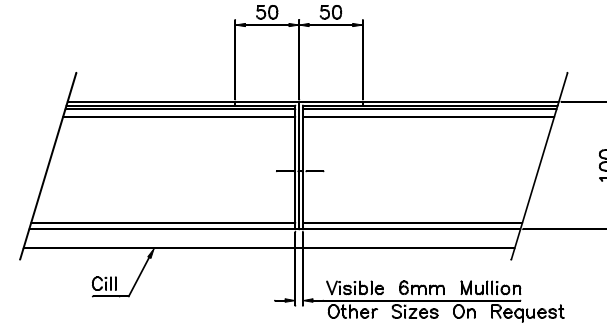
WL100 Extruded Aluminium Louvred Non-Vision Screen With Visible Mullions  
 Louvres Manufactured & Supplied To Site In Modular Form



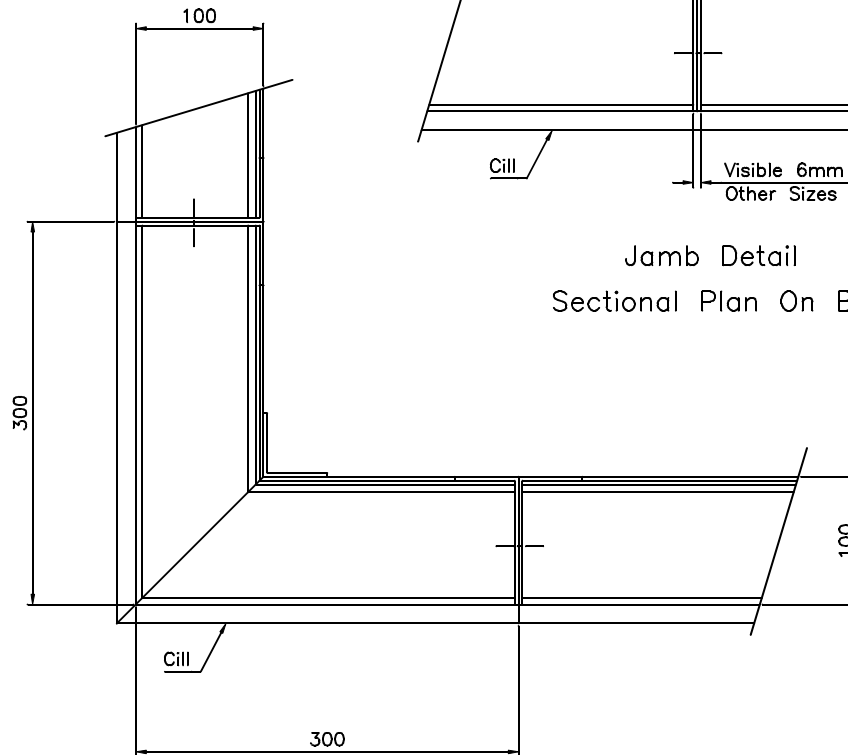
Head Detail



Cill Detail  
 Sectional Side Elevation On A-A



Jamb Detail  
 Sectional Plan On B-B



Mitred Corner Detail  
 Sectional Plan On C-C

Notes  
 All dimensions must be checked on site and not scaled from this drawing

**WL100 Louvre System**

Material  
 Extruded Aluminium Frame & Blades.

Blade Thickness 2mm  
 Frame Thickness 3mm  
 Louvre Depth 100mm  
 Louvre Pitch 100mm  
 Blade Angle 45°

Finish;  
 Polyester Powder Coated  
 Colour Ref; \_\_\_\_\_

Date	Revisions

LINCO ENGINEERING  
 MIDLANDS LTD  
 88 Heming Road,  
 Washford Industrial Estate,  
 Redditch,  
 WORCS,  
 B98 0EA,  
 TEL: (01527) 518333  
 FAX: (01527) 518666  
 e-mail: linco@btconnect.com  
 www.lincoengineering.com



Client. \_\_\_\_\_

Project. \_\_\_\_\_

Drawing Title  
**WL100 Extruded  
 Aluminium Louvred  
 Screen Details**

Scale 1:2

Date Jan08 Drawn by: K.P

Dwg. No.	Rev.
WL100 Screen Inverted	—